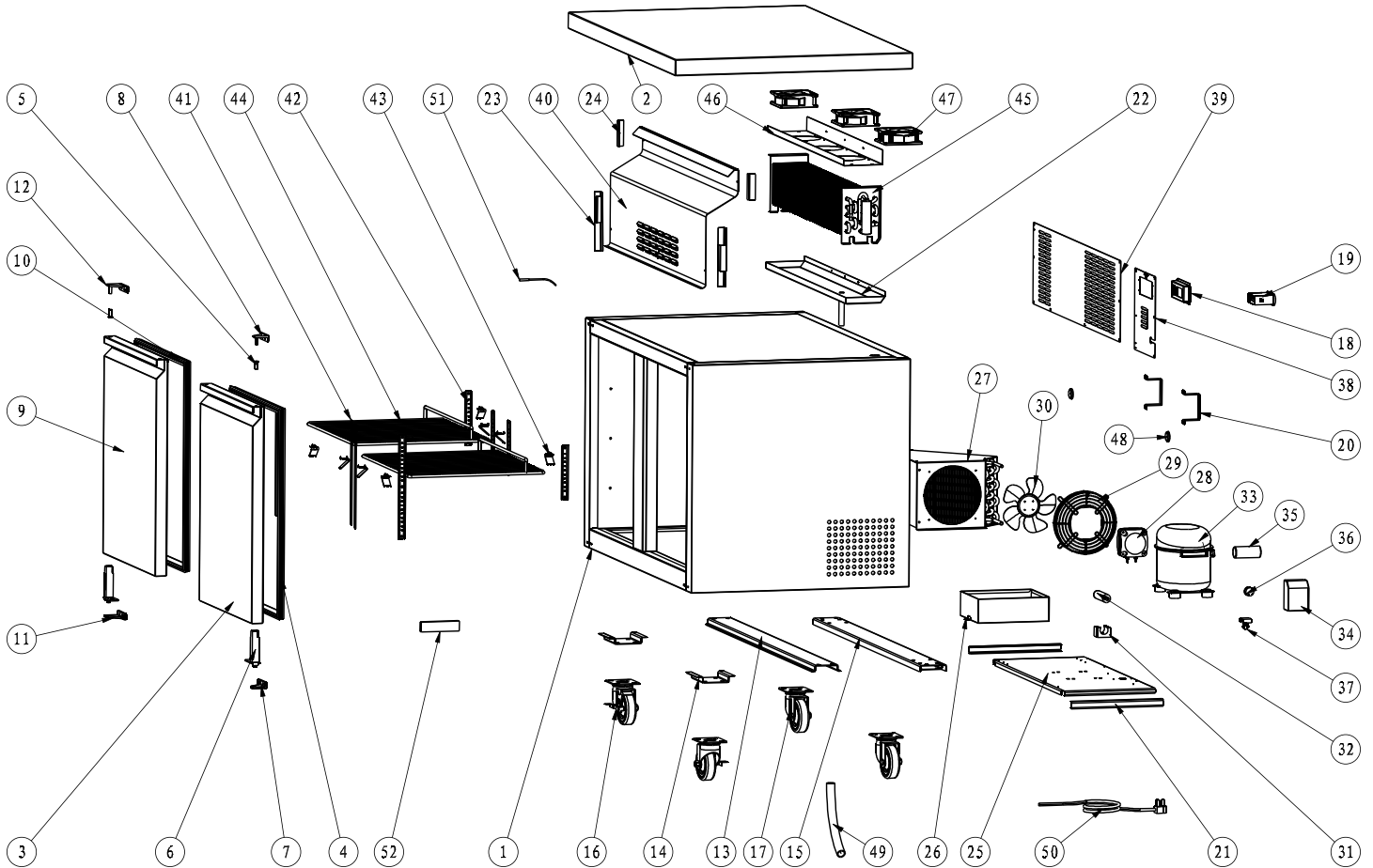


Parts Breakdown

Model RE-CN-0015-HC 50093



Parts Breakdown

Model RE-CN-0015-HC 50093

Item No.	Description	Position	Item No.	Description	Position	Item No.	Description	Position
AM740	Cabinet for 50093	1	AB320	Thermostat Installation Board for 50093	18	AM712	Compressor Starting Kit for 50093	34 - 37
AN078	Top Board for 50093	2	AI375	Dixell Temperature Controller for 50093	19	AM713	Back Grill Metallfrio for 50093	38
AN079	Right Door for 50093	3	AF080	Stand Off Bracket for 50093	20	AM714	Back Grill for 50093	39
AB363	Gasket 720 x 635mm for 50093	4, 10	AF085	Compressor Unit Track for 50093	21	AM715	Evaporator Cover for 50093	40
AA388	Axis Cover for 50093	5	AM711	Inner Drain Pan for 50093	22	AF090	K Strip-3 Holes for 50093	41
AI945	Spring Hinge Board for 50093	6	AF738	Evaporator Cover Sticker for 50093	23	AF089	K Strip-2 Holes for 50093	42
AA360	Hinge T for 50093	7	AF739	Evaporator Cover Sticker for 50093	24	26884	K Clip for 50093	43
AF070	Hinge X for 50093	8	AF106	Compressor Unit Installation Board for 50093	25	AB388	Shelf for 50093	44
AM708	Left Door for 50093	9	AA874	Outer Drain Pan for 50093	26	AB221	Evaporator for 50093	45
61468	Hinge V for 50093	11	AB159	Condenser for 50093	27	AM716	Fan Motor Installation Board for 50093	46
AB200	Hinge W for 50093	12	AI963	Condenser Fan Motor for 50093	28	AA128	Condenser Fan Motor for 50093	47
AM709	Castor Support B for 50093	13	AL933	Condenser Fan Cover for 50093	29	AB169	Foaming Hole Cover for 50093	48
AF734	Castor Support C for 50093	14	AI391	Blade of Condenser Fan Motor for 50093	30	AA133	Drain Hose for 50093	49
AM710	Castor Support A for 50093	15	AB595	Filter Fixer for 50093	31	AA135	Power Cord for 50093	50
26246	Caster with Brake for 50093	16	AI968	Filter for 50093	32	AA379	Temperature Probe for 50093	51
26247	Caster without Brake for 50093	17	AE906	Compressor for 50093	33	AA596	Thermometer for 50093	52